

DATA SHEET


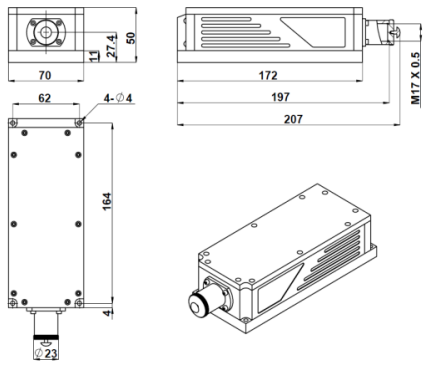
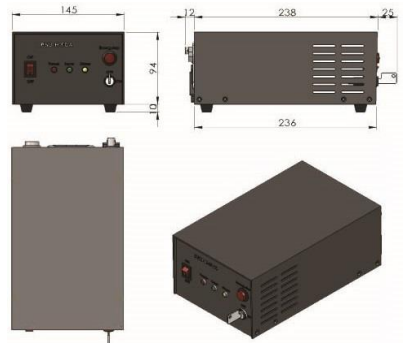
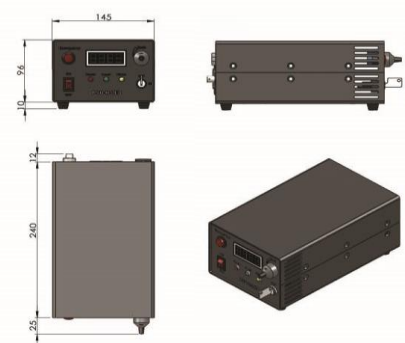
LD PUMPED ALL-SOLID-STATE GREEN LASER AT 552nm

DPSS green laser at 552nm is made features of ultra-compact, long lifetime and easy operating, which is used in measurement, medical treatment, scientific research, etc.



Model: MGL-FN-552/1~200mW

Wavelength (nm)	552 ± 1nm	
Operating mode	CW	
Output power (mW)	>10, 50, 100, ..., 200	
Transverse mode	Near TEM ₀₀	
Operating mode	CW	
Power stability (rms, over 4 hours)	<1%, <3%, <5%, <10%, optional	
Warm-up time (minutes)	<10	
Beam divergence, full angle (mrad)	<2.0	
Beam diameter at the aperture (mm)	~2.0	
Beam height from base plate (mm)	27.4	
Polarization ratio	>100:1 (o or 90 degree)	
Operating temperature (°C)	10~35	
Power supply (90-264VAC)	PSU-H-LED	PSU-H-FDA
Modulation option	TTL on/off, 1Hz-1KHz, 1KHz-10KHz; and Analog modulation option	
Expected lifetime (hours)	10,000	
Warranty period	1 year	

MxL-FN-552	Dimensions	PSU-H-FDA	PSU-H-LED
	 <p>197(L) × 70(W) × 50(H) mm³, 1.36kg</p>	 <p>275(L) × 145(W) × 104(H) mm³, 2.3kg</p>	 <p>277(L) × 145(W) × 106(H) mm³, 2.6kg</p>