

## DATA SHEET


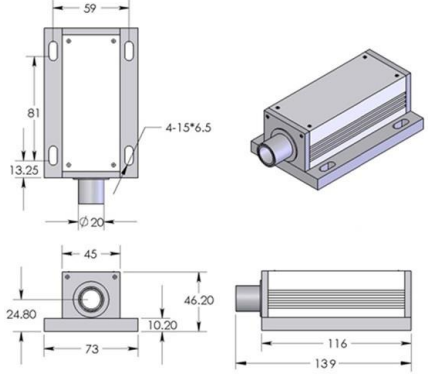
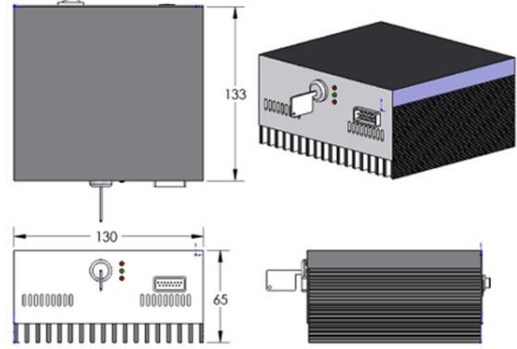
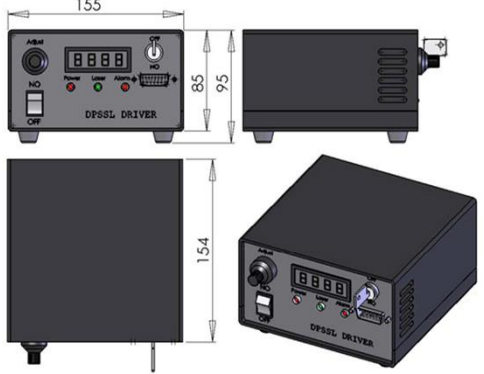
### GREEN LASER MODULE AT 514.5nm

Green laser module at 514.5 nm is made features of ultra-compact, long lifetime, and easy operating, which may be the replacement for Argon laser and it is widely used in biological, medical, laser pumping, scientific research, etc.



Model: MGL-III-514.5/1~30mW

Wavelength (nm)	514.5 ± 1nm	
Output power (mW)	>10, 20, 30	
Transverse mode	Near TEM <sub>00</sub>	
Operating mode	CW	
Power stability (rms, over 4 hours)	<1%, <3%, <5%	
Spectral linewidth (nm)	~0.5	
Coherent length (cm)	>20	
Warm-up time (minutes)	<5	
M <sup>2</sup> factor	<1.2	
Beam divergence, full angle (mrad)	<1.0	
Beam diameter at 1/e <sup>2</sup> (mm)	~1.2	
Beam height from base plate (mm)	24.8	
Pointing stability after warm-up (mrad)	<0.05	
Operating temperature (°C)	10~35	
Power supply (90-264VAC)	PSU-III-LED	PSU-III-FDA
Expected lifetime (hours)	10,000	
Warranty period	1 year	

MxL-III-514.5	Dimensions	PSU-III-FDA	PSU-III-LED
	 <p><b>139 (L) × 73 (W) × 46.2 (H) mm<sup>3</sup>, 0.6kg</b></p>	 <p><b>133 (L) × 130(W) × 65 (H) mm<sup>3</sup>, 1.2kg</b></p>	 <p><b>154 (L) × 155 (W) × 95 (H) mm<sup>3</sup>, 1.5 kg</b></p>